



*First choice when
quality counts.™*

Electric Airless Sprayers

PACKAGES



**Portable,
Powerful
Sprayers for
the Professional
Painting
Contractor**



Get Graco. Experience The Difference.™

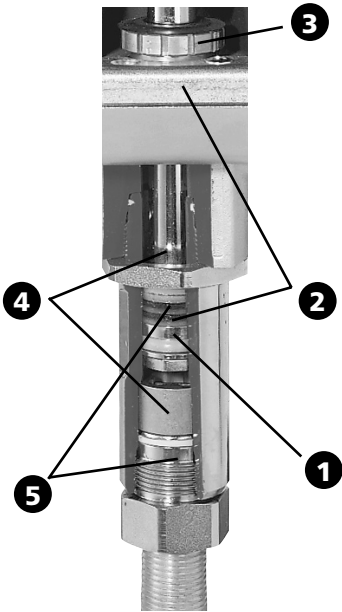


The Quality Difference.

Graco's quality difference for over 70 years has been to exceed the industry standard in design and manufacturing of every component. Our 49+ person engineering staff is progressively designing technologically superior products on sophisticated Computer-Aided Design equipment and performing extensive field tests. Once field tests are complete, each component then goes through rigorous testing to ensure each and every sprayer performs to its maximum life and performance.

In addition, Graco's manufacturing staff ensures all sprayers pass the most intensive quality tests. In fact, the expansive manufacturing facility is equipped with state-of-the-art computerized machinery for exact tolerances and consistent quality so nothing leaves the factory until it's in perfect working condition. So even though you can't always see the Graco quality difference, it's in there!

The Quality Inside!



Exclusive Pump Lower Design

- 1** The wiper ring packing "wipes" clean the inside of the pump section, extending pump life up to 50%
- 2** Ultra High Molecular Weight Polyethylene and impregnated leather packings with ten sealing surfaces offer unmatched packing life
- 3** An adjustable packing nut extends pump packing life by allowing periodic tightening of the packing
- 4** Fluid passages are designed to maximize fluid flow and sprayer performance while minimizing wear and pressure loss
- 5** Rotating ball checks keep inlet and outlet checks clean of debris to reduce downtime and prevent pump losing prime when operating. They maximize component life by eliminating wear on only one surface which is common with flat check or spring-loaded check designs.

Easy-adjust Pressure Control for pressures up to 3000 psi (210 bar).

Heavy-Duty Gears are permanently lubricated and case-hardened for reliable operation and maintenance-free use.

Pail Hook on Hi-Boys conveniently carries 5-gallon pails.

Adjustable Packing Nut and Wiper Ring extends packing life up to 50% greater than competitive models.

Motor Brushes are easy to replace and can be serviced in the field. Also 3.5 times larger than competitive models for longer life.

DC Motor permanent magnet, totally-enclosed, fan-cooled design. Protects motor from contaminants for longer life.

Piston Pump constructed of hardened stainless steel and hard chrome minimizes corrosion damage and maximizes pump life.

State-Of-The-Art Ball Check Design for greater pump efficiency especially with heavier bodied coatings.

NOTE: Quality features are common to all ST models. Cart configurations may vary by model.

The Warranty Difference.

We build it. We back it. Period.

Because of our industry leading quality design and performance, we're able to offer the best overall warranty in the industry. This allows you to buy with confidence and gives you the lowest, long-term cost of operation, highest resale value and maximum performance.

Our warranty is also easy to use - there's no complicated paperwork. This warranty is in addition to the standard Graco Warranty* described in the instruction manual. What you see is what you get!

2-Year Bumper-to-Bumper Warranty

For 2 years, Graco will repair or replace any defective or worn out bare sprayer component for the original owner. Each fluid pump component is limited to a one-time wear replacement. This warranty does not cover consumable items such as filters, cup liners, TSL, etc.

Lifetime Warranty on Gear Train & Electric Motor

The original owner is promised a lifetime warranty on the gear train and electric motor (excluding brushes).

30-Day "Just Add Paint" Satisfaction Guarantee

If you're dissatisfied with the performance of a Graco Sprayer, simply return it within 30 days to the place of purchase. You can exchange it for an identical unit. Or, if you'd prefer, trade-up to a larger unit, requiring an additional cost.

Highest Resale Value

When you purchase a new sprayer, it's important to consider the long-term resale value. Clearly, you'll see a difference with Graco equipment. Graco Sprayers typically offer a 20% to 30% higher resale value than the closest competitive brand.

Downtime Eliminator™ Program

Graco's large distributor network offers you parts or service in almost every city throughout North America. If the warranty part you need is not in your distributor's stock, Graco offers FREE overnight, next business day delivery, when your distributor orders by 2 p.m. Central Standard Time. Plus, our Quik-Parts Plus Program offers over 250 parts 100% in stock at all times.

Large Distributor Network

440+ conveniently located, authorized and certified service centers and 5400+ distributor locations stand behind Graco products. Trust these experts to provide quick, reliable service with genuine Graco parts, accessories and sprayers in stock.

Assistance is just a phone call away

1-800-690-2894 for Customer Service

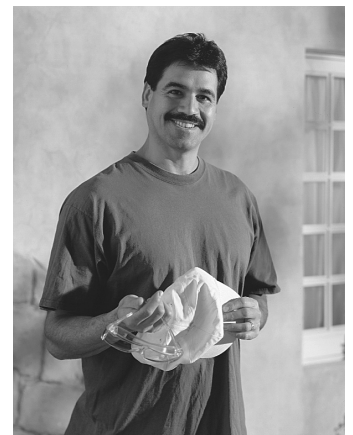
* Outside of the United States and Canada, not all conditions of the extended warranty may apply. Contact your local distributor for complete details.



"It's nice to know that there are still some people who believe in their product enough to stand behind it. Graco Spray equipment has always given me excellent trouble-free service, even when I was working under some very brutal commercial production situations. I have always found that Graco machines and replacement parts deliver what they promise and beyond."

Tom Epperson

*FineLine Painting Co.
Sullivan's Island, SC*





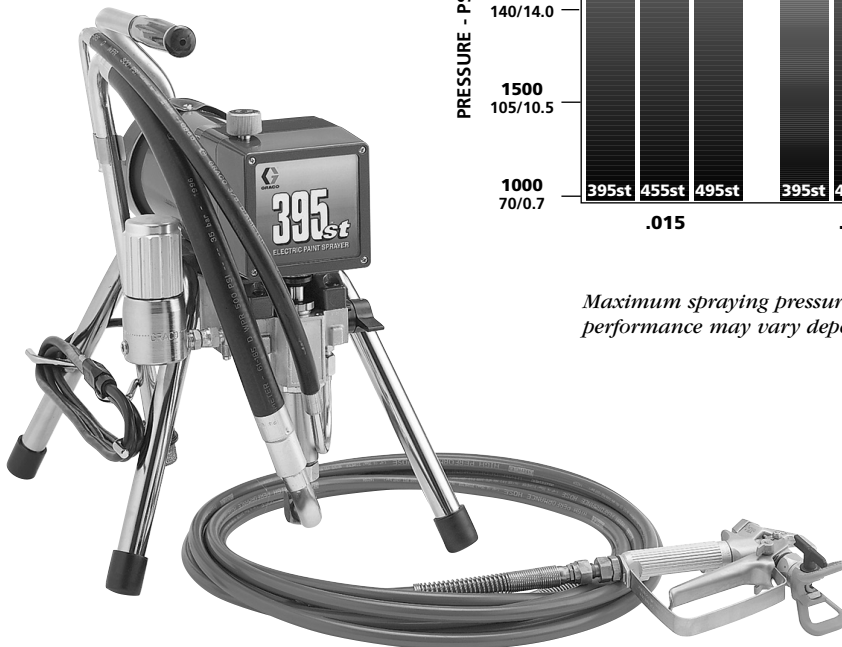
The Performance Difference.

When it comes to performance, ST Sprayers set the industry standard. You need a sprayer that maximizes performance by delivering the best atomizing pressure for your type of paint. Graco designs sprayers to deliver maximum pressure, measured by spraying with a specific spray tip size and latex paint.

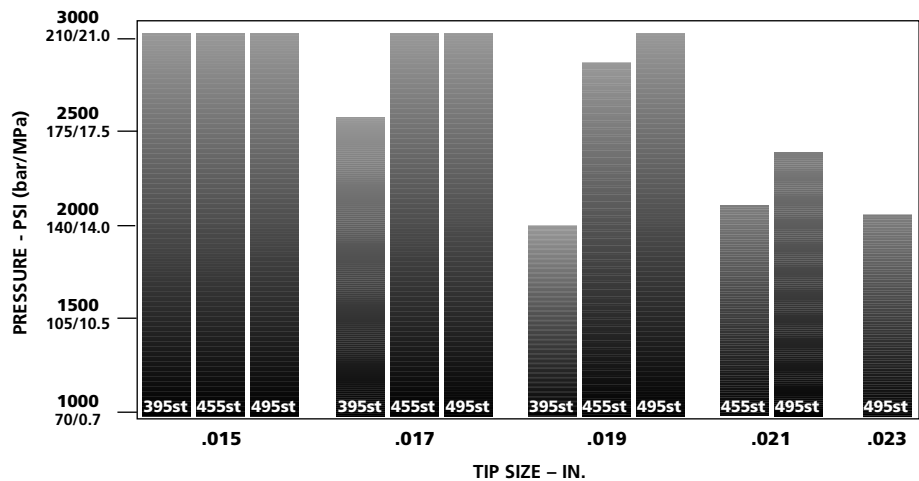
Higher actual spraying pressures can offer these benefits:

- Higher production with the same tip
- More consistent mil build, saving material and increasing performance
- Longer hose lengths can be used, saving labor time
- Produce a superior quality finish
- Spray a wider range of coatings, expanding your job opportunities
- Less thinning of coatings required for maximum performance
- Improved cold weather spraying performance

All ST Sprayers are rated to 3000 psi (210 bar) for greater performance of hard-to-spray materials or when long hose lengths are required.



See the Graco Performance Difference



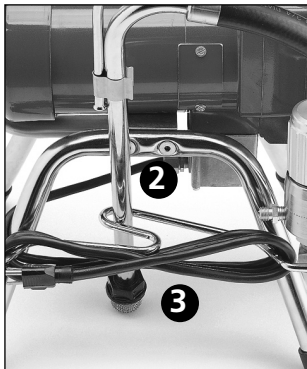
Maximum spraying pressure with latex paint and 50 ft. (15 m) hose. Actual performance may vary depending on material viscosity and hose length.

The Features Make the Difference.

ST sprayers are rugged, easy to operate, compact, top performing sprayers. They work only on demand, providing top spraying results and minimizing wear on components. Plus, they're lightweight and easy to move - ideal for one person!

Greater Reliability

All ST sprayers come with Graco's exclusive wiper ring packing design. It provides a clean surface for sealing packings and helps extend packing life up to 50%. Plus, all pump section components are made from a combination of hard chrome and stainless steel, providing extended pump life as well as abrasion and corrosion protection.



Increased Convenience

The popular stand mount design now comes with three new features:

1 Easy Carry™ Handle

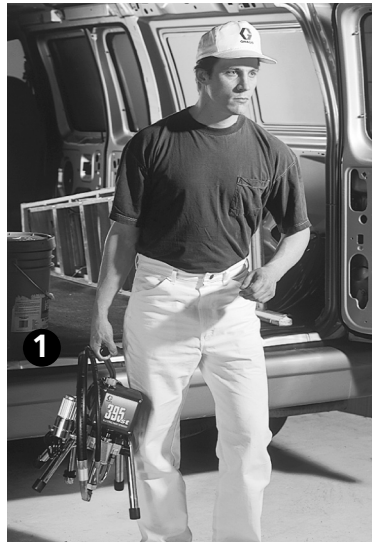
For greater comfort the patent pending, Easy Carry offset handle tilts your ST Sprayer slightly, moving it away from your body. This offers better balance, making the sprayer easier to carry.

2 Siphon Tube Clip

The siphon tube easily snaps into place for secure, convenient storage or transport.

3 Cord Wrap

This convenient design allows quick and easy wrap-up of electric cord when the sprayer is not in use.



More Versatility

ST Sprayers were designed to suit your needs completely. Choose from three different cart configurations.

Stand Mount

This compact model is easy to store and transport. It includes the new offset handle design, cord wrap and siphon clip for your convenience.

Hi-Boy/Lo-Boy Cart

Both Hi-Boy and Lo-Boy carts include wheels allowing easy movement and provide pail hook/holder to simultaneously move 5-gallon containers. The Hi-Boy model offers a direct immerse feed feature for quicker priming. This design also has a hose rack to handle up to 100 ft. (30 m) of hose.

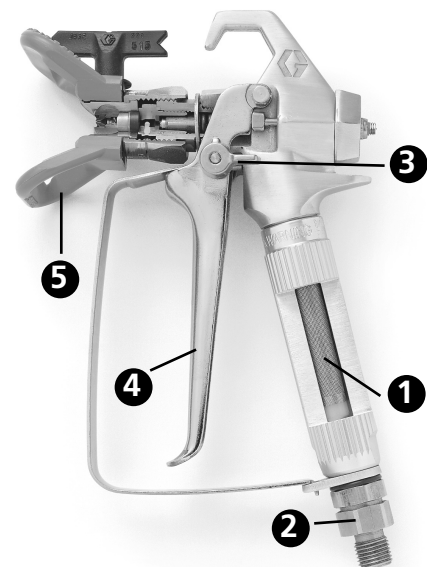


CONTRACTOR FTx™ GUN

All ST Sprayers feature our high performance Contractor FTx Gun.

You'll benefit from:

- 1 Easy Access™ built-in filter to reduce tip plugging
- 2 Smooth Glide™ Swivel for easier gun movement
- 3 Finger Latch Trigger Safety & Lock-on for quick clean-up
- 4 Full Trigger Design with lightweight trigger pull for extra comfort
- 5 Includes 515 Reverse-A-Clean™ (RAC) IV SwitchTip & DripLess™ Guard





HELPFUL HINT

Proper filtration helps prevent downtime; the more filtration, the better:*

1. Inlet Strainer

In the 1st stage, the inlet strainer at the end of the siphon tube prevents foreign objects from damaging the pump.

2. Manifold Filter

The 2nd stage of the filtering process eliminates larger contaminants, which reduces tip plugging and provides a higher quality finish.

3. Gun Filter

During the 3rd stage, the gun filter ensures dried paint particles in the hose or contaminants in the material don't end up on your finish.

* Select the specific filter size based upon material being sprayed. Some heavy bodied materials may require filter screen removal.

The Product.

The ST/EM line offers you power in compact, portable sprayers. Choose the sprayer that best suits your needs - from small repaint projects to large residential and commercial applications.

395st™

This sprayer is designed to be used on small to medium size jobs such as maintenance painting, residential, fences and decks. Sprays stains, lacquers, oil base and latex paints.

231-575 Complete Sprayer, Stand Mount

Complete sprayers include: 1/4 in. x 50 ft. (6.3 mm x 15 m) hose, Contractor FTx™ gun with Reverse-A-Clean™ (RAC) IV 515 SwitchTip™ and DripLess™ Tip Guard.

- **Tip Size** - 1 gun to 0.019 in. tip with latex at 2000 psi (138 bar, 13.8 MPa)
- **Delivery** - 0.33 U.S. gpm (1.25 l/min.) max.
- **Working Pressure** - 3000 psi (210 bar, 21.0 MPa) max.
- **Hose** - Up to 300 ft. (91.4 m) max.
- **Extension Cord** - 300 ft. (91.4 m) max. of No. 12 AWG, 3 wire, 6 ft. (1.8 m)
- **Power Requirements** - 120 VAC, 60 Hz, 1 phase, 15 amp min. or 3000 watt generator
- **Motor Size** - 1/2 HP, DC, totally-enclosed, fan-cooled
- **Weight** - 37 lbs. (17 kg)
- **Dimensions** - 14 in. W x 15 in. L x 19 in. H (356 mm W x 381 mm L x 483 mm H)
- **Instruction Manual** - 308-714
- **Pump Repair Kit** - 235-703



Stand Mount

455st™

This sprayer is designed to be used on small to medium size jobs such as residential, apartments, fences and decks. It offers 33% more output than the 395st. Sprays stains, lacquers, oil base and latex paints.

231-581 Complete Sprayer, Stand Mount

231-583 Complete Sprayer, Lo-Boy

Complete sprayers include: 1/4 in. x 50 ft. (6.3 mm x 15m) hose, Contractor FTx gun with Reverse-A-Clean (RAC) IV 515 SwitchTip and DripLess Tip Guard.

- **Tip Size** - 1 gun to 0.021 in. tip with latex at 2000 psi (138 bar, 13.8 MPa)
- **Delivery** - 0.44 U.S. gpm (1.66 l/min.) max.
- **Working Pressure** - 3000 psi (210 bar, 21.0 MPa) max.
- **Hose** - Up to 300 ft. (91.4 m) max.
- **Extension Cord** - 300 ft. (91.4 m) max. of No. 12 AWG, 3 wire, 6 ft. (1.8 m)
- **Power Requirements** - 120 VAC, 60 Hz, 1 phase, 15 amp min. or 3000 watt generator
- **Motor Size** - 5/8 HP, DC, totally-enclosed, fan-cooled
- **Weight** - Stand Mount - 37 lbs. (17 kg)
Lo-Boy - 50 lbs. (22.7 kg)
- **Dimensions** - 14 in. W x 15 in. L x 19 in. H (356 mm W x 381 mm L x 483 mm H)
- **Instruction Manual** - 308-720
- **Pump Repair Kit** - 235-703



Stand Mount



Lo-Boy

495st™

The 495st is designed for every day use on medium to large jobs such as new residential and light commercial applications. It offers 14% more output than the 455st and 52% more than the 395st. Sprays stains, lacquers, oil base and higher solids latex paints.

231-584 Complete Sprayer, Stand Mount

231-585 Complete Sprayer, Lo-Boy

231-586 Complete Sprayer, Hi-Boy

Complete sprayers include: 1/4 in. x 50 ft. (6.3 mm x 15 m) hose, Contractor FTx™ gun with Reverse-A-Clean (RAC) IV 515 SwitchTip™ and DripLess™ Tip Guard.

- **Tip Size** – 1 gun to 0.023 in. tip with latex at 2000 psi (138 bar, 13.8 MPa)
- **Delivery** – 0.50 U.S. gpm (1.9 l/min.) max.
- **Working Pressure** – 3000 psi (210 bar, 21.0 MPa) max.
- **Hose** – Up to 300 ft. (91.4 m) max.
- **Extension Cord** – 300 ft. (91.4 m) max. of No. 12 AWG, 3 wire, 6 ft. (1.8 m)
- **Power Requirements** – 120 VAC, 60 Hz, 1 phase, 15 amp min. or 3000 watt generator
- **Motor Size** – 3/4 HP, DC, totally-enclosed, fan-cooled
- **Weight** – Stand Mount – 37 lbs. (17 kg)
Hi-Boy – 47 lbs. (21.4 kg)
Lo-Boy – 50 lbs. (22.5 kg)
- **Dimensions** – Stand Mount – 14 in. W x 15 in. L x 19 in. H (356 mm W x 381 mm L x 483 mm H)
Hi-Boy – 20.5 in. W x 21 in. L x 39.5 in. H (Handle-up) (521 mm W x 533 mm L x 1003 mm H)
Lo-Boy – 15 in. W x 22 in. L x 21 in. H (381 mm W x 559 mm L x 533 mm H)
- **Instruction Manual** – 308-716
- **Pump Repair Kit** – 235-703



Hi-Boy



Stand Mount



Lo-Boy

EM590™

The EM590 is perfect for large residential and commercial applications. It offers 50% more output than the 495st. Sprays stains, lacquers, oil base, latex and heavier architectural coatings.

220-856 Bare Sprayer, Hi-Boy

231-590 Complete Sprayer, Hi-Boy

Complete sprayers include: 1/4 in. x 50 ft. (6.3 mm x 15 m) hose, 3 ft. (1 m) whip hose, and Flex Plus gun with Reverse-A-Clean (RAC) IV 517 SwitchTip and DripLess Tip Guard.

- **Tip Size** - 1 gun to 0.025 in. tip with latex at 2000 psi (138 bar, 13.8 MPa)
- **Delivery** - 0.75 U.S. gpm (2.8 l/min.) max.
- **Working Pressure** - 2750 psi (190 bar, 19.0 MPa)
- **Hose** - Up to 300 ft. (91.4 m) max.
- **Extension Cord** - 300 ft. (91.4 m) max. of 12 gauge, 3-wire
- **Power Requirements** - 120 VAC, 60 Hz, 1 phase, 15 amp min. or 3000 watt generator
- **Motor Size** - 3/4 HP, DC, totally-enclosed, fan-cooled
- **Weight** - 75 lbs. (34 kg)
- **Dimensions** – 20.5 in. W x 20.5 in. L x 41 in. H (Handle-up) (521 mm x 521 mm x 1041 mm)
- **Instruction Manual** – 307-830
- **Pump Repair Kit** – 222-588

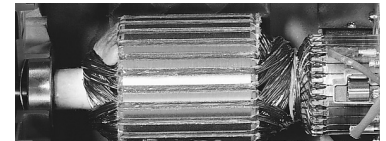


Hi-Boy



Longest Life DC Motor

- Industrial grade, permanent magnet, totally-enclosed, fan-cooled (T.E.F.C.), DC Motor designed to Graco's specifications
- Operates on 45% slower RPMs than competitive models
- Offers longest life and reliability under tough job site conditions
- Rated motor life up to 7 times longer than competitive models
- Adapts to voltage fluctuations without producing extra heat which can trip circuits or damage other types of motors
- Works on demand - shuts off when you stop spraying, saving wear on motor, pump and other sprayer components





Recommendation Chart

The following is a recommended guide to selecting an electric Airless Sprayer. Always make sure the material you are spraying has been tested for compatibility with your sprayer, and be sure to consult your supplier for specific information.

Model	Material	Typical Applications	Volume Output	No. Guns & Tips
395st™	<ul style="list-style-type: none"> • stains, lacquers, oil base and latex paints 	<ul style="list-style-type: none"> • small maintenance projects 	<ul style="list-style-type: none"> • .33 gpm (1.25 l/min.) 	<ul style="list-style-type: none"> • 1 gun to 0.019 in. tip
455st™	<ul style="list-style-type: none"> • stains, lacquers, oil base and latex paints 	<ul style="list-style-type: none"> • small to medium jobs such as new residential 	<ul style="list-style-type: none"> • .44 gpm (1.66 l/min.) • 33% more output than 395st 	<ul style="list-style-type: none"> • 1 gun to 0.021 in. tip
495st™	<ul style="list-style-type: none"> • stains, lacquers, oil base and higher solids latex paints 	<ul style="list-style-type: none"> • medium to large jobs such as new residential and light commercial 	<ul style="list-style-type: none"> • .50 gpm (1.9 l/min.) • 14% more output than 455st 	<ul style="list-style-type: none"> • 1 gun to 0.023 in. tip
EM590	<ul style="list-style-type: none"> • stains, lacquers, oil base, latex and heavier architectural coatings 	<ul style="list-style-type: none"> • large residential and commercial applications 	<ul style="list-style-type: none"> • .75 gpm (2.8 l/min.) • 50% more output than 495st 	<ul style="list-style-type: none"> • 1 gun to 0.025 in. tip

Accessories

Airless Tips and Guards

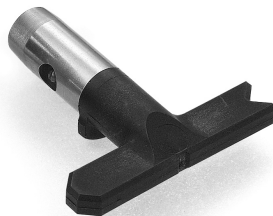
Reversible Tips and Guards

Graco's patented Reverse-A-Clean™ (RAC) Airless SwitchTips™ are designed for quick and easy tip unplugging. To clear a tip plug, simply reverse the SwitchTip from spray to clear and you'll be painting again within seconds! Easily switch from one tip size to another. Using the latex gasket provided, the RAC tip can also be quickly installed on any airless gun without the use of tools.

RAC IV SwitchTip

221-XXX

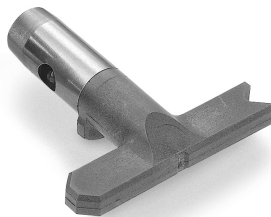
- Most widely used reversible tip on the market
- Spray lacquers to mastics
- Available in over 100 sizes
- Handles pressures up to 5000 psi (345 bar, 34.5 MPa)



Fine Finish RAC Tip

FFR-XXX

- Patented two-stage atomization process creates a soft, feathered spray pattern
- Achieve a smooth, extremely fine finish with more consistent material thickness
- Spray lacquer, varnish, stain, high finish enamel or other fine finish coatings



Performance Series™ DripLess™ Guard

237-859 For 7/8 in. (22 mm) Thread Size – Fits Graco and Titan Guns. Replaces 220-422.

237-858 For 11/16 in. (17 mm) Thread Size – Fits Graco Pole Guns (older style) and Wagner Guns. Replaces 220-542.

- Aerodynamic design directs the material flow, creating a tighter, more consistent pattern while minimizing overspray
- Virtually eliminates paint build-up, dripping and spitting
- Backed by a 30-Day Satisfaction Guarantee



THE RIGHT COMBINATION

The combination of Graco Reverse-A-Clean (RAC) SwitchTips and Performance Series Guards gives you the best spraying performance possible.

- RAC SwitchTips are designed for easy tip unplugging & quick tip changes
- Broadest selection of the highest quality spray tips available
- All tips are manufactured with the highest quality tungsten carbide, tested for flow rate & liquid boned for longer life
- Performance Series DripLess Tip Guards offer a patented aerodynamic design which virtually eliminates dripping or material build-up



Airless Guns & Gun Hose Kits

Contractor FTx™ Gun

238-350 Includes 515 RAC IV SwitchTip and Guard

- Offers Easy Access™, 2-Piece Filter, and built-in Smooth Glide Swivel for top spraying performance
- Trigger pull is 30% lighter than competitors' for easier operation and less fatigue
- Unique paddle-shaped finger latch for quick and simple operation of gun safety and optional trigger lock for cleaning
- 3600 psi (248 bar, 24.8 MPa) max. working pressure
- Fluid Orifice Diameter - 0.125 in. (3.2 mm)



Contractor Gun

220-955 Includes 517 RAC IV SwitchTip and Guard

179-943 Optional 4-Finger Trigger available

- Comfort Grip™, Form-Fitted Handle
- 2-Finger Trigger, Easy Access™, 2-Piece Filter and built-in Smooth Glide Swivel for top spraying performance
- 3600 psi (248 bar, 24.8 MPa) max. working pressure
- Fluid Orifice Diameter - 0.125 in. (3.2 mm)



"We only settle for the best. This includes Graco RAC tips which are simple, convenient to use and are easy to clean out. There isn't another tip that will last longer, either."

Kay Armatage

*Armatage Painting
West Jordan, Utah*

Silver Plus™ Gun

235-463 2-Finger Trigger with Reverse-A-Clean™ (RAC) IV 517 SwitchTip™ and DripLess™ Tip Guard

235-460 2-Finger Trigger with Flat Tip Guard

235-461 4-Finger Trigger with Flat Tip Guard

235-462 Fine Finish with 2-Finger Trigger and Flat Tip Guard

- Stainless steel fluid tube
- No needle adjustments required, needle guaranteed for life against needle breakage
- 5000 psi (345 bar, 34.5 MPa) max. working pressure
- Fluid Orifice Diameter* - 0.090 in. (2.3 mm)



** Includes all guns except 235-462 which has .037 in. fluid orifice*

Gun Hose Kits

All gun kits include Airless gun, RAC IV SwitchTip, DripLess Tip Guard, 1/4 in. x 50 ft. (6.3 mm x 15.2 m) airless hose [except the Contractor 238-000 which has a 3/8 in. x 50 ft. (9.5 mm x 15.2 m) airless hose] and 3 ft. (0.9 m) Whip Hose (excluding Contractor FTx).

238-351 Contractor FTx Gun Hose Kit

220-962 Contractor Gun Hose Kit

238-000 Contractor Gun Hose Kit

235-472 Flex Plus Gun Hose Kit

235-473 Silver Plus Gun Hose Kit



Hoses

High Performance Fluid Hose

- Get less pressure drop for more performance at the gun
- Upgraded conductive core protects against static charge build-up
- Tough urethane jacket resists abrasion and chemicals for longer life
- Working pressure: 3000 psi (210 bar, 21.0 MPa)

238-360	1/4 in. X 25 ft. (6.3 mm X 7.6 m)
238-361	1/4 in. X 50 ft. (6.3 mm X 15.2 m)
238-387	1/4 in. X 100 ft. (6.3 mm X 30 m)
238-362	3/8 in. X 25 ft. (9.5 mm X 7.6 m)
238-363	3/8 in. X 50 ft. (9.5 mm X 15.2 m)
238-397	3/8 in. X 100 ft. (9.5 mm X 30 m)
238-358	Whip, 3/16 in. X 3 ft. (4.8 mm X 0.9 m)
238-359	Whip, 3/16 in. X 6 ft. (4.8 mm X 1.8 m)



Pole Guns

Graco Pole Guns offer unmatched spraying performance in high or recessed areas. Pole guns include: Easy Turn™ Directional Spray Head with 180° swivel, RAC IV Tip and Guard.

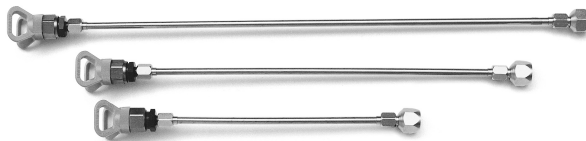
238-311	1 ft. (0.3 m)
238-312	2 ft. (0.6 m)
238-313	3 ft. (0.9 m)
238-314	4 ft. (1.2 m)
238-316	6 ft. (1.8 m)
238-318	8 ft. (2.4 m)



Tip Extensions

These convenient tools allow easy spraying of hard-to-reach or narrow areas such as soffits, high walls and ceilings. All tip extensions quickly attach to an airless gun. Tip extensions include: Flat Tip Guard and 7/8 in. gun nut (fits Graco or Titan guns). For Wagner or other guns, order 11/16 in. gun nut with adapter, part no. 180-146.

223-390	12 in. (30 cm)
223-391	18 in. (46 cm)
223-392	24 in. (61 cm)



Heavy-Duty Extensions

The tough aluminum construction with exclusive, heavy-duty steel fittings are durable and versatile. They allow easy connection with no bending of poles, loss of strength at the joints, or extra couplings/fittings required. Ideal for high or low pressure roller applications or spraying.

Four convenient sizes can be connected together in a variety of combinations to achieve the desired length. Standard with 7/8 in. (22 mm) gun nut (fits Graco or Titan guns). For Wagner or other guns using 11/16 in. gun nut, order with part no. 181-085 gun adapter.

224-413	12 in. (30 cm)
224-414	18 in. (46 cm)
224-415	36 in. (91 cm)
224-416	72 in. (1.83 m)



PACKAGES

"You did it again. I can't tell you how much your pole gun benefits our production time. I used it on a wood fence to apply Kresote. It worked great and is safer because the applicator isn't too close to the work. Thanks again for your help in making our application easier and more profitable."

Mark Mathis

Customer Color Owner
Indianapolis, Indiana

For the complete offering of Graco accessories, contact your distributor.

